



PROFESSIONAL SEISMIC BRACING SOLUTION

www.vichnet.cn

Contents

About us	01
Certificates	02
Product advantages	03
Seismic bracing system	04
Sideways/longitudinal seismic brace of piping	
Sideways/longitudinal seismic brace of ductwork	
Sideways/longitudinal seismic brace of cable tray	
Combined sideways/longitudinal seismic brace	
Seismic bracing fittings	08
Project cases	10
Service introduction	11



Seismic Bracing

Seismic bracing is a reinforcement added to a structure to prevent collapse or deformation of building elements as a result of earthquakes. Therefore, it can effectively release the energy to protect life and property.

About Us



Ningbo Vichnet Technology Co., Ltd was established in 2006. As a national high-tech enterprise, Vichnet specializes to the innovation, manufacturing and sales of intelligent safety protection system for different application environment. Our client base from more than 100 countries and our products are widely applied to famous projects around the world.

After 15 years of accumulation, Vichnet has perfected the safety bearing system of cable tray, seismic bracing and combined hanger. As a result, we can provide professional solutions and quality services for customers in different industries.

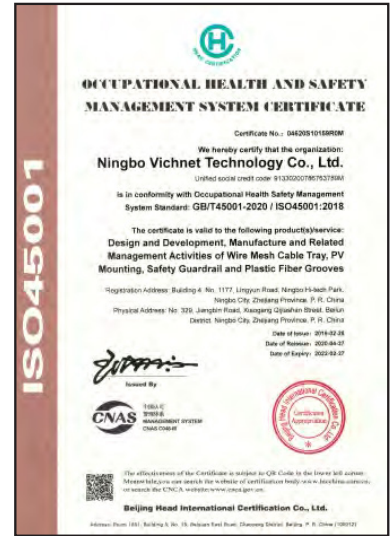
Certificates



ISO9001



ISO14001



ISO45001



Tensile test report



Load performance test report



Bending ultimate load test report

Product Advantages



Modular components are easy to assemble without welding and drilling, easy to disassemble and change. Besides, they can be 100% recycled.



Stable, serrated edges for better shear resistance and impact resistance, the stiffeners can be customized.



The installation speed is 6 to 8 times faster than traditional ways, and the products are more durable and easier to maintain.



Products size can be customized.

Seismic Bracing System

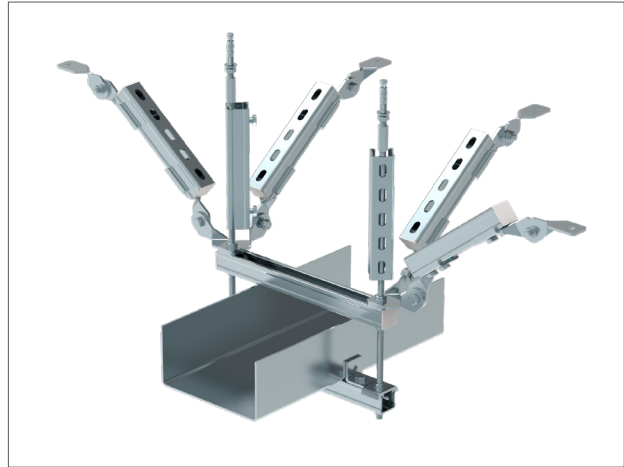
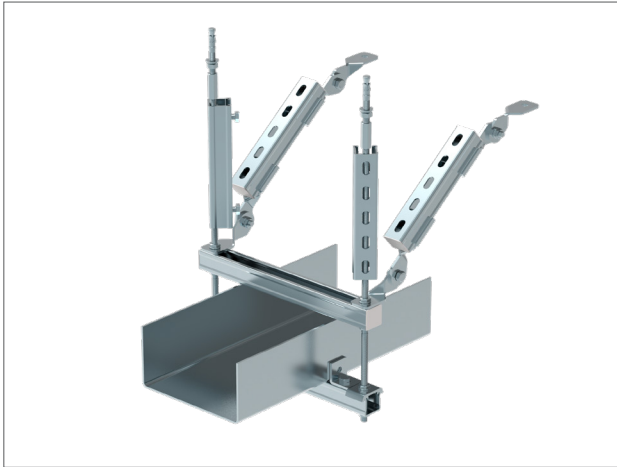
Sideways/longitudinal seismic brace of piping



- ◆ Material: high quality carbon steel, stainless steel
- ◆ Surface treatment: electrogalvanized, hot dip galvanized, zinc chromium coated
- ◆ Feature: Water supply and drainage including fire pipe, automatic spray pipe, water supply pipe, etc
 When seismic precautionary intensity of high-rise building water supply is in 8 degrees or 9 degrees, seismic measures should be taken.
 When the length of the straight line is longer than 100m, seismic measures should be taken.
 Horizontal pipes greater or equal to DN65 for indoor water supply, hot water and fire protection pipes which need to be fortified.

Product	Nominal diameter (mm)	Height (mm)	Standard quantity (set)
Sideways/longitudinal seismic brace of piping ST-DN65	65	≤ 1000	1
Sideways/longitudinal seismic brace of piping ST-DN80	80	≤ 1000	1
Sideways/longitudinal seismic brace of piping ST-DN100	100	≤ 1000	1
Sideways/longitudinal seismic brace of piping ST-DN125	125	≤ 1000	1
Sideways/longitudinal seismic brace of piping ST-DN150	150	≤ 1000	1

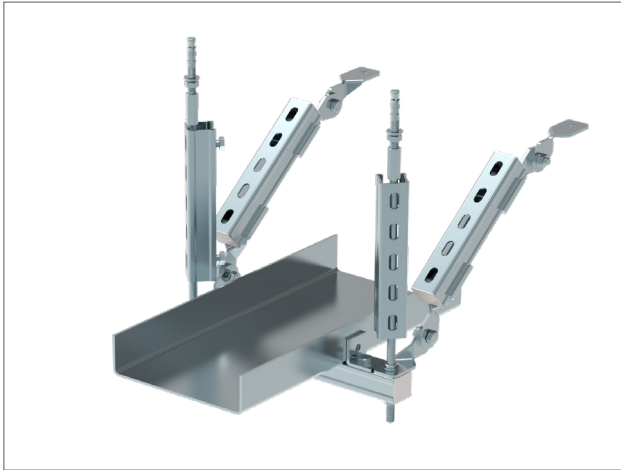
Sideways/longitudinal seismic brace of ductwork



- ◆ Material: high quality carbon steel, stainless steel
- ◆ Surface treatment: electrogalvanized, hot dip galvanized, zinc chromium coated
- ◆ Feature: When the rectangular section area of the air duct is bigger or equal to 0.38m² and the circular diameter is greater or equal to 0.70m, seismic measures should be taken.
Seismic measures should be taken in all smoke and accident ventilation ducts.

Product	Duct section (m ²)	Height (mm)	Standard quantity (set)
Sideways/longitudinal seismic brace of ductwork FT-0.4	0.4	≤ 1000	1
Sideways/longitudinal seismic brace of ductwork FT-0.5	0.5	≤ 1000	1
Sideways/longitudinal seismic brace of ductwork FT-0.6	0.6	≤ 1000	1
Sideways/longitudinal seismic brace of ductwork FT-0.7	0.7	≤ 1000	1
Sideways/longitudinal seismic brace of ductwork FT-0.8	0.8	≤ 1000	1
Sideways/longitudinal seismic brace of ductwork FT-0.9	0.9	≤ 1000	1
Sideways/longitudinal seismic brace of ductwork FT-1.0	1.0	≤ 1000	1
Sideways/longitudinal seismic brace of ductwork FT-1.2	1.2	≤ 1000	1
Sideways/longitudinal seismic brace of ductwork FT-1.5	1.5	≤ 1000	1
Sideways/longitudinal seismic brace of ductwork FT-2.0	2.0	≤ 1000	1
Sideways/longitudinal seismic brace of ductwork FT-2.5	2.5	≤ 1000	1
Sideways/longitudinal seismic brace of ductwork FT-3.0	3.0	≤ 1000	1

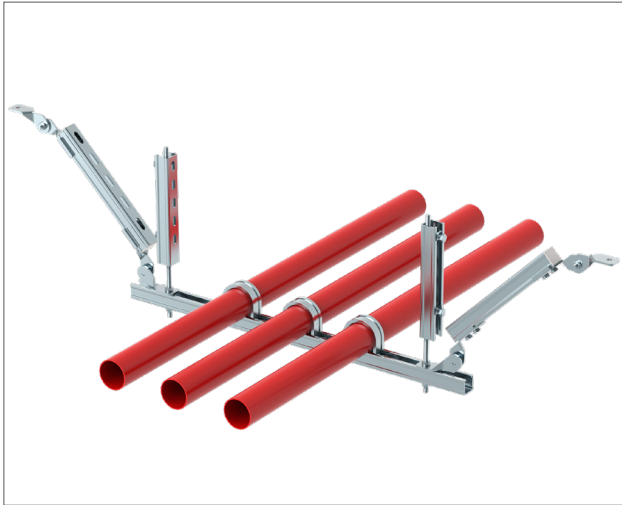
Sideways/longitudinal seismic brace of cable tray



- ◆ Material: high quality carbon steel, stainless steel
- ◆ Surface treatment: electrogalvanized, hot dip galvanized, zinc chromium coated
- ◆ Feature: When the inner diameter of electrical pipe is not less than 60mm, seismic measures should be taken.
When the gravity of cable tray, cable trough and busbar is not less than 150N/m, seismic measures should be taken.

Product	Length (mm)	Height (mm)	Standard quantity (set)
Sideways/longitudinal seismic brace of cable tray QT-300	300	≤ 1000	1
Sideways/longitudinal seismic brace of cable tray QT-400	400	≤ 1000	1
Sideways/longitudinal seismic brace of cable tray QT-600	600	≤ 1000	1
Sideways/longitudinal seismic brace of cable tray QT-800	800	≤ 1000	1
Sideways/longitudinal seismic brace of cable tray QT-1000	1000	≤ 1000	1

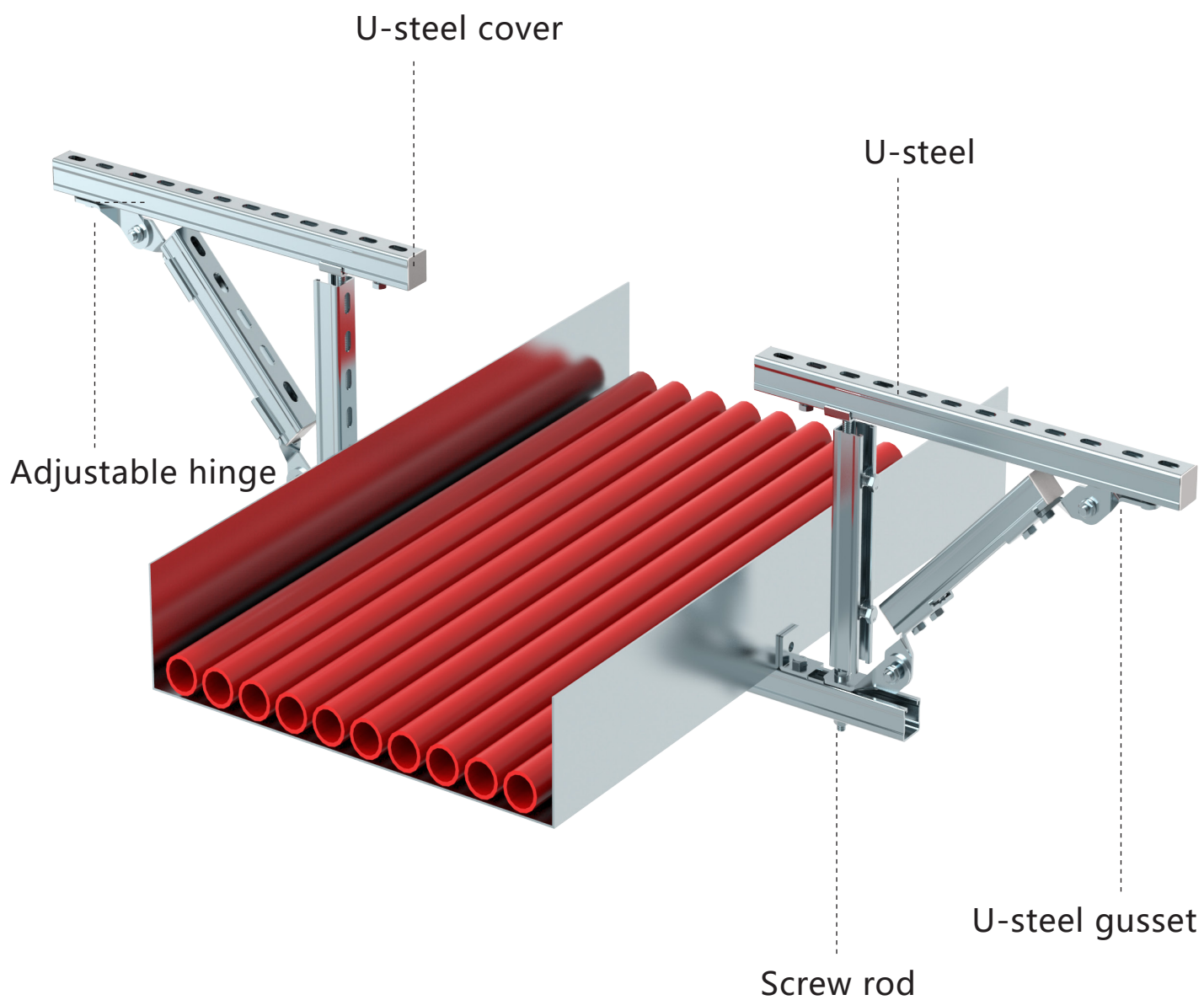
Combined sideways/longitudinal seismic brace



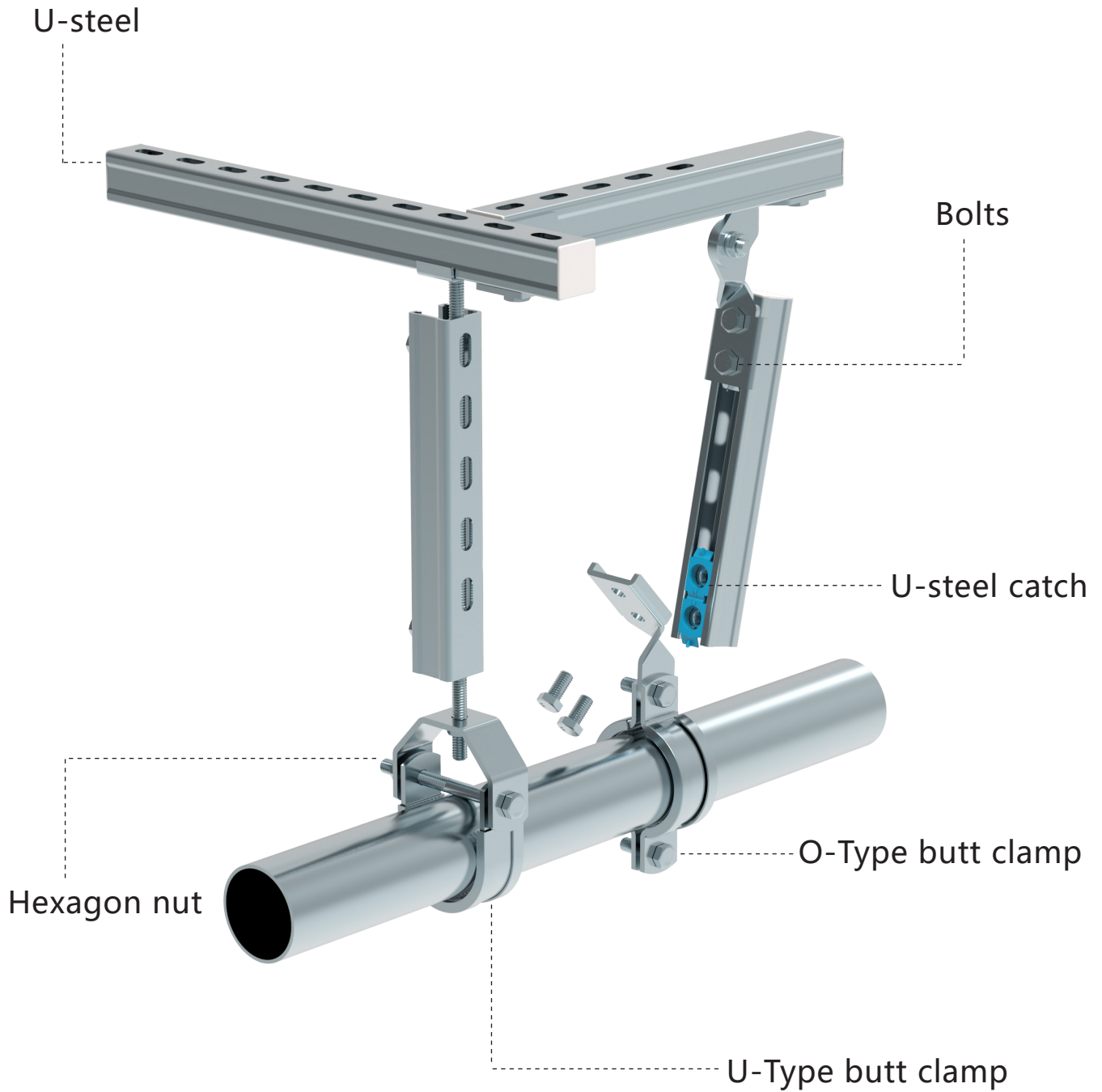
- ◆ Material: high quality carbon steel, stainless steel
- ◆ Surface treatment: electrogalvanized, hot dip galvanized, zinc chromium coated
- ◆ Feature: Water supply and drainage including fire pipe, automatic spray pipe, water supply pipe, etc
 When seismic precautionary intensity of high-rise building water supply is in 8 degrees or 9 degrees, seismic measures should be taken.
 When the length of the straight line is greater than 100m, seismic measures should be taken.
 Horizontal pipes with diameters greater or equal to DN65 for indoor water supply, hot water and fire protection pipes which need to be fortified.

Product	Length (mm)	Height (mm)	Standard quantity (set)
Combined sideways/longitudinal seismic brace BT-2	300	≤ 1000	1
Combined sideways/longitudinal seismic brace BT-3	400	≤ 1000	1
Combined sideways/longitudinal seismic brace BT-4	600	≤ 1000	1
Combined sideways/longitudinal seismic brace BT-5	800	≤ 1000	1
Combined sideways/longitudinal seismic brace BT-6	1000	≤ 1000	1

Seismic Bracing Fittings



Seismic Bracing Fittings



Project Cases



Service Introduction



Design Service

We will provide structural support stress calculation and arrange professional designers to optimize CAD design.

Technical Support

We will provide remote guidance and deep thinking of different scenes to ensure the quality in line with national standards.



After-sale Service

We will provide services such as product consulting, components installation, personalized customization to give customers the best experience.

Notes



NINGBO VICHNET TECHNOLOGY CO., LTD

Tel: 0574-87911328 0574-87912020

Fax: 0574-87911327

Website: www.vichnet.cn

Manufacturing Plant: No. 329 Jiangbin Road, Beilun District, Ningbo, China

Headquarters Address: 10th Floor, Building 7, Smart Park Phase II, High-tech Zone, Ningbo, China