

# WALKABLE CABLE TRAY :

Complete specifications

Customizable





## Company profile

Vichnet Technology was established in 2006 and is a Chinese national high-tech enterprise specialized in the manufacturing of cable management systems. The company has obtained ISO9001, ISO14001, ISO18001 system certifications, and products have obtained UL, CUL, CE, E90 certifications.

After more than ten years of accumulation, Vichnet Technology has evolved from solely supplying grid cable tray products to being an expert in industrial cable tray solutions and having a complete range of tray types and specifications. In order to provide different industries with safe, environmentally friendly, efficient, and aesthetically pleasing professional wiring solutions, Vichnet is continuously committed to technological innovation. It has developed small-sized equipment-specific cable trays, environmentally friendly no-whisker nano-film processes for data centers, high-corrosion-resistant zinc-nickel compliant cable trays, and walkable cable trays, among others.

As a leading brand in the cable tray industry, Vichnet cable trays have been exported to more than 100 countries and regions.

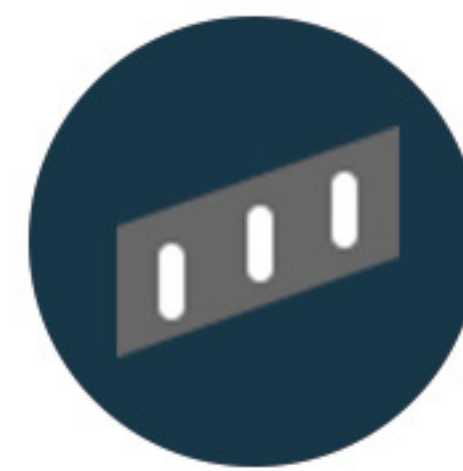


## Product advantages



### Smooth edge folded in a singular, seamless operation

Crafted with precision, the edge is folded in a singular operation to avoid protrusions and sharp corners.



### Straight line drilling technology, ensuring a smooth burr-free surface

Precision perforation technology, using high-quality raw material with uniform colors and smooth surfaces.



### Strict quality inspection

Strict control over production process, orders are shipped only after passing quality inspection.



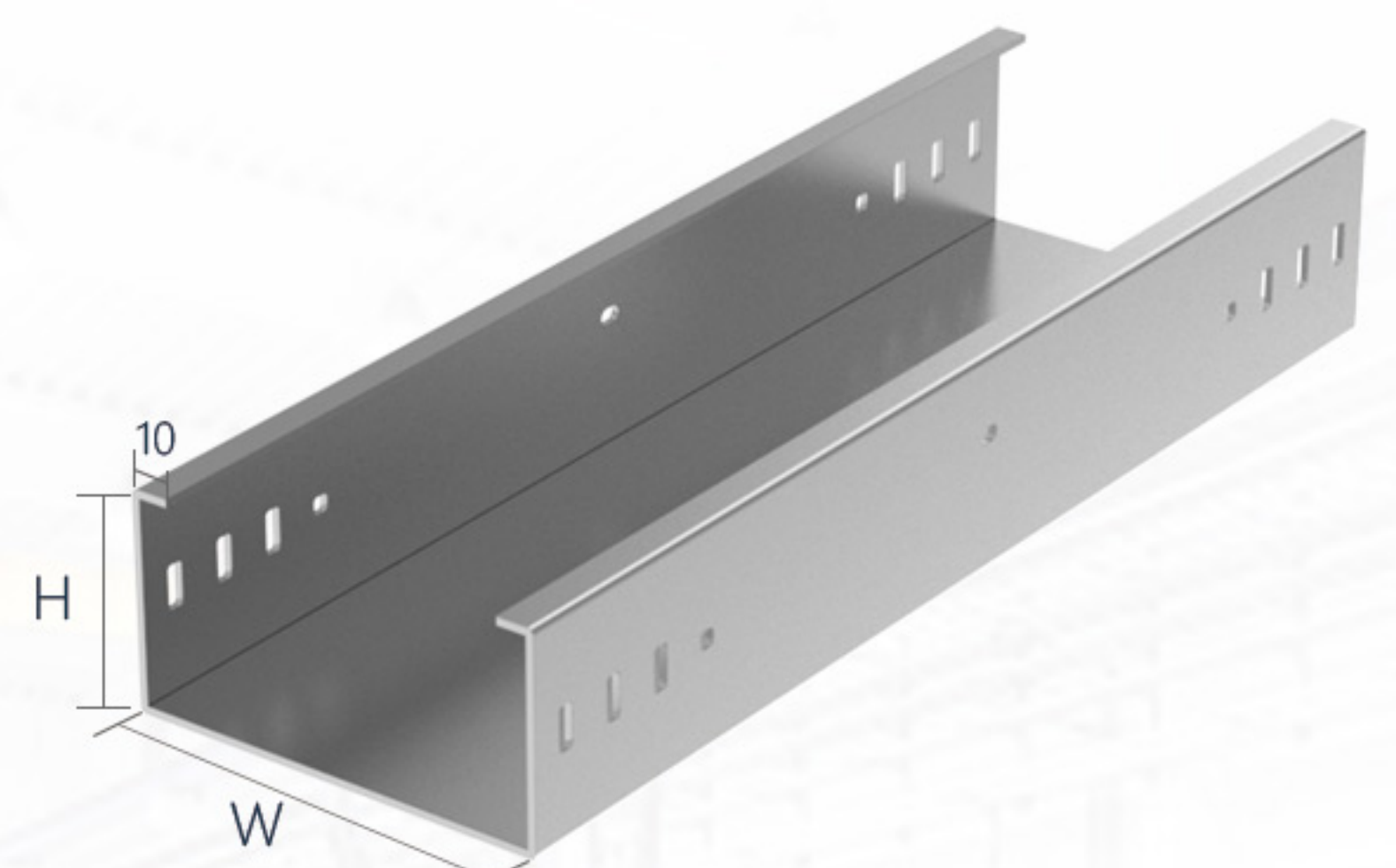
### Complete specifications and customizable

Customizable to customer needs.

## Product parameters

Product Name: Walkable Cable Tray	Material: Galvanized Sheet + Anti-slip Aluminum Sheet	
Model	Height	Width
CT50x100	50	100
CT75x150	75	150
CT100x200	100	200
CT100x300	100	300
CT100x400	100	400
CT100x500	100	500
CT100x600	100	600
CT100x800	100	800
CT150x250	150	250
CT150x300	150	300
CT150x400	150	400
CT150x500	150	500
CT150x600	150	600
CT150x800	150	800
CT200x400	200	400
CT200x500	200	500
CT200x600	200	600
CT200x800	200	800

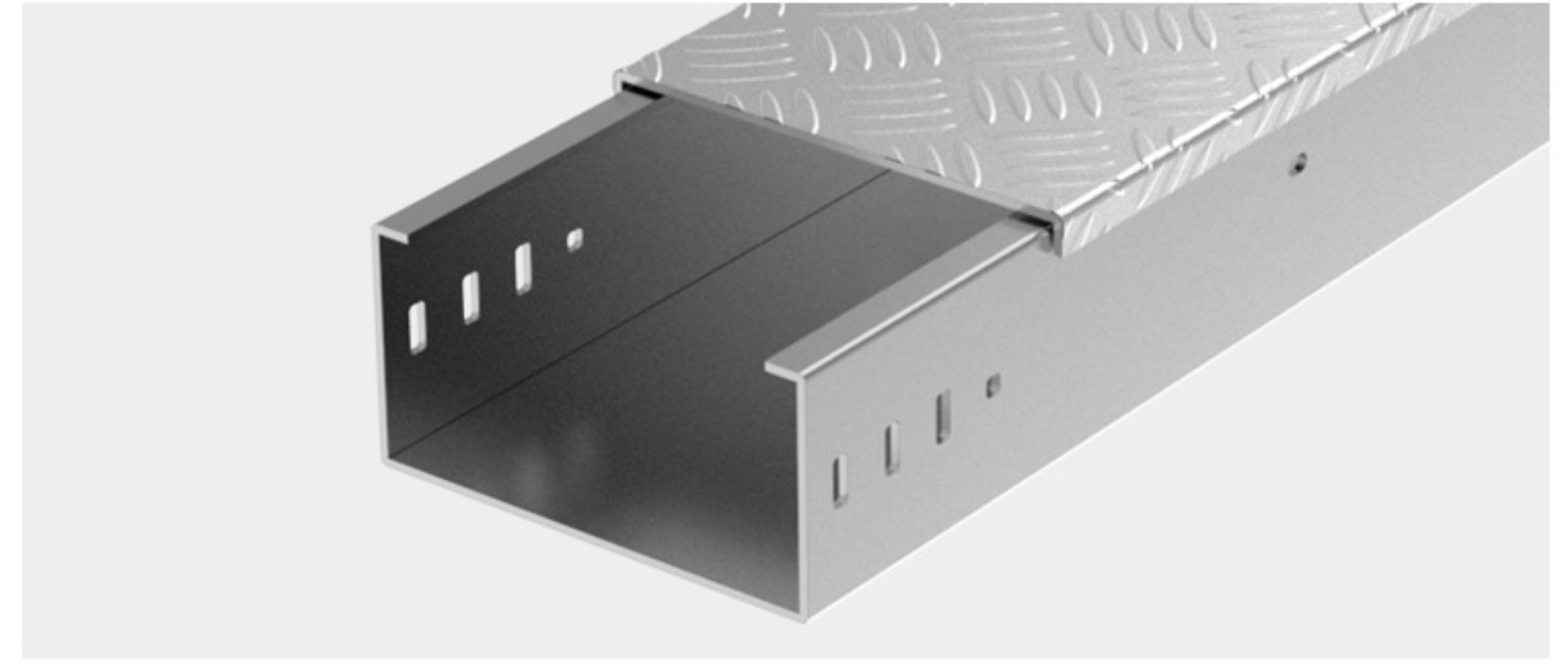
Default unit: mm



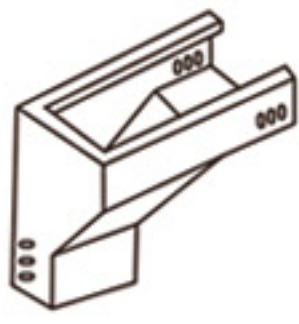




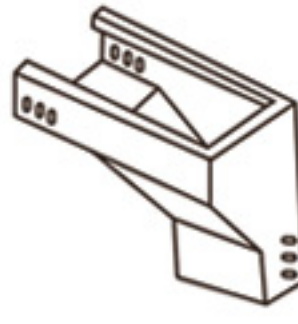
## Detail display



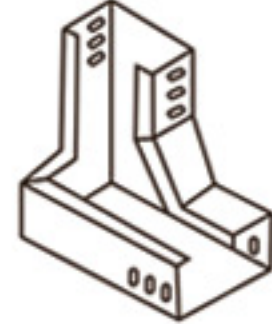
## Common bends



Vertical Elbow Upper-Left



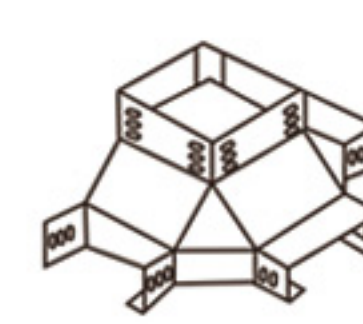
Vertical Elbow Upper-Right



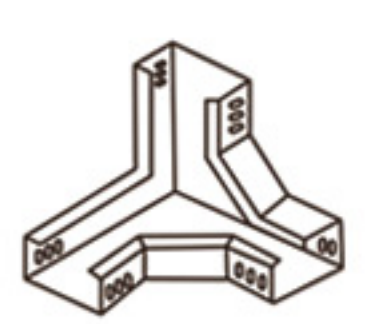
Vertical Elbow Lower-Left



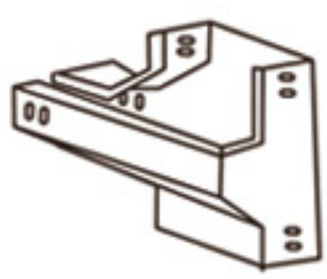
Vertical Elbow Lower-Right



90° Four-Way Tee



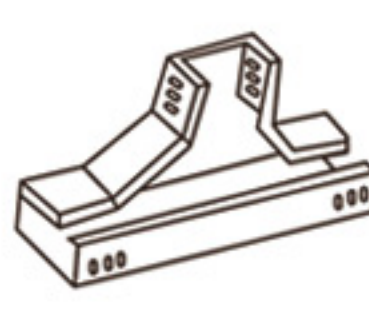
90° Three-Way Elbow Down



Four-Way Wye Left



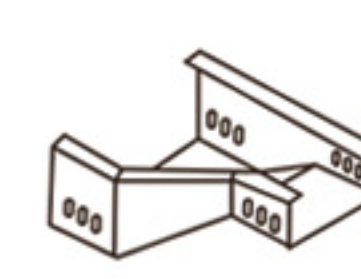
Four-Way Wye Right



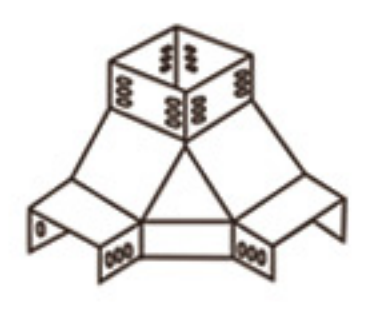
Vertical Tee Up (Type A)



Vertical Tee Up (Type B)

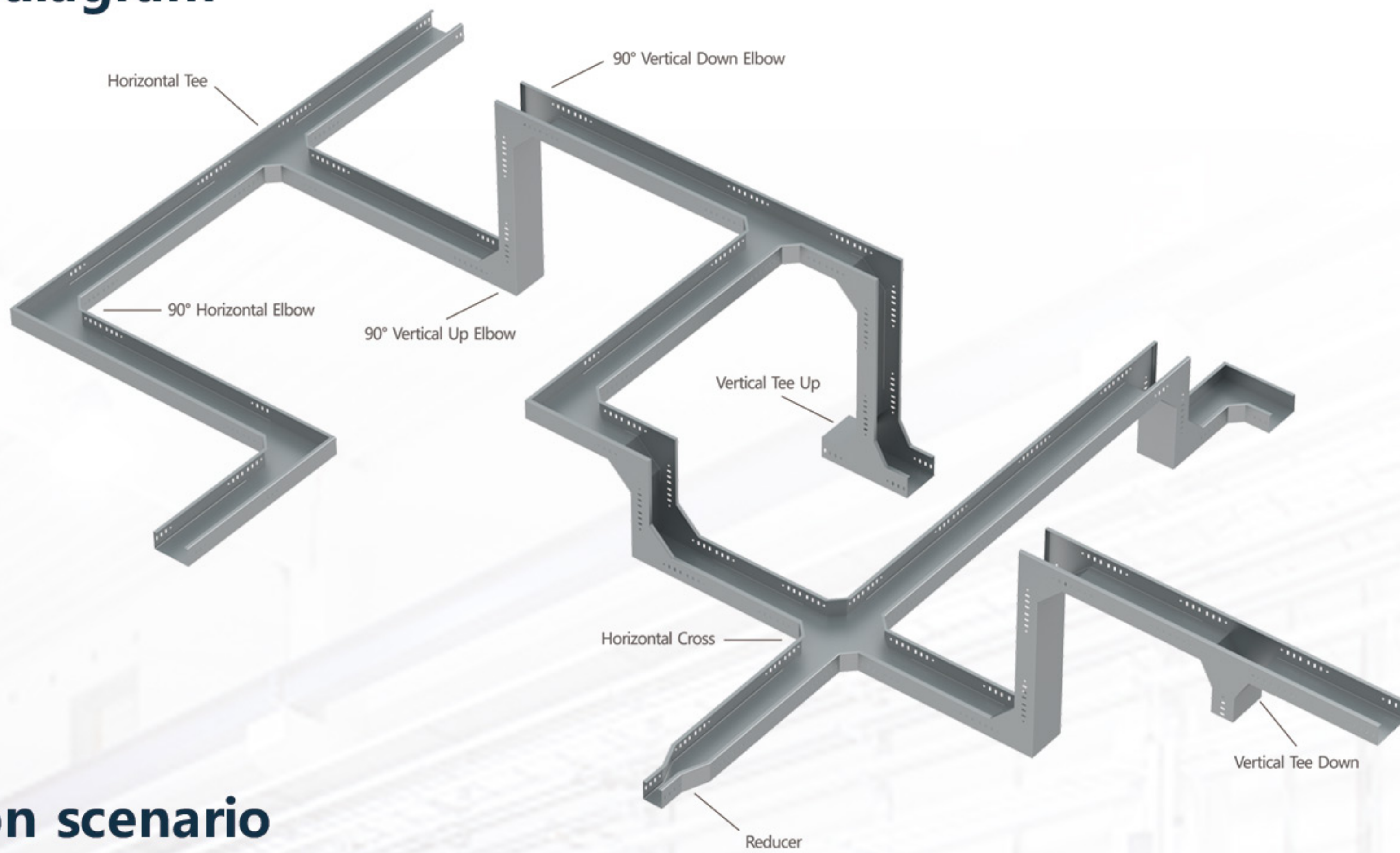


Reducing Joint



90° Three-Way Elbow Up

## Structure diagram



## Application scenario







Office Add.: 10F, Building 7, Smart Park, Hi-tech Zone, Ningbo, China.  
Factory Add.: No.329 Jiangbin Road, Beilun District, Ningbo, China  
Website: [www.vichnet.com](http://www.vichnet.com)  
Tel: +86-13094835367