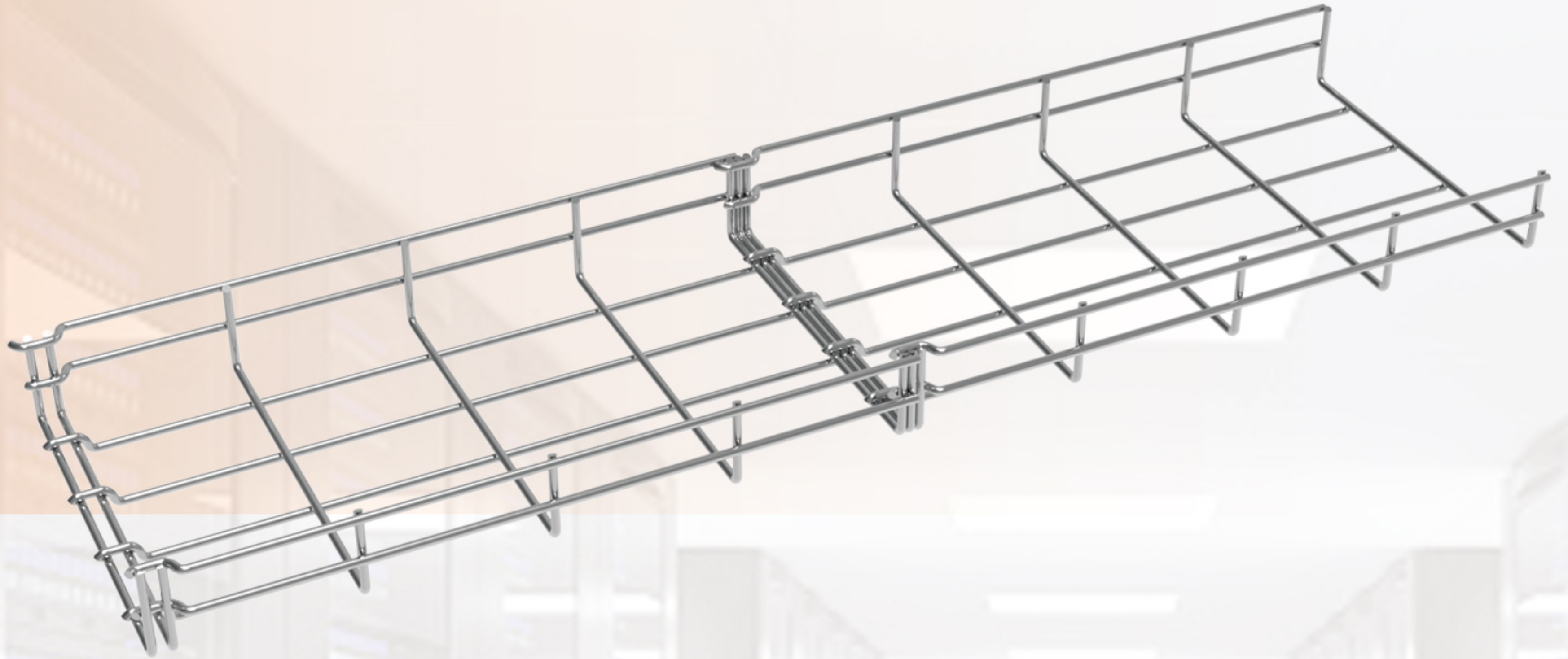


## | Easy-Connect Mesh Cable Tray



### — Product Features —



#### Time-saving Installation

Straight sections of the Easy-Connect mesh cable tray connect without connecting accessories, saving time and labor in the installation process.



#### Simplified Planning

Easy-Connect mesh cable trays reduce the need for pre-project communication regarding the quantity and types of connecting accessories needed.



#### Reduced Waste

The Easy-Connect mesh cable tray eliminates the need for straight section connecting accessories, avoiding resource waste caused by excessive accessory orders.



#### Aesthetic Design

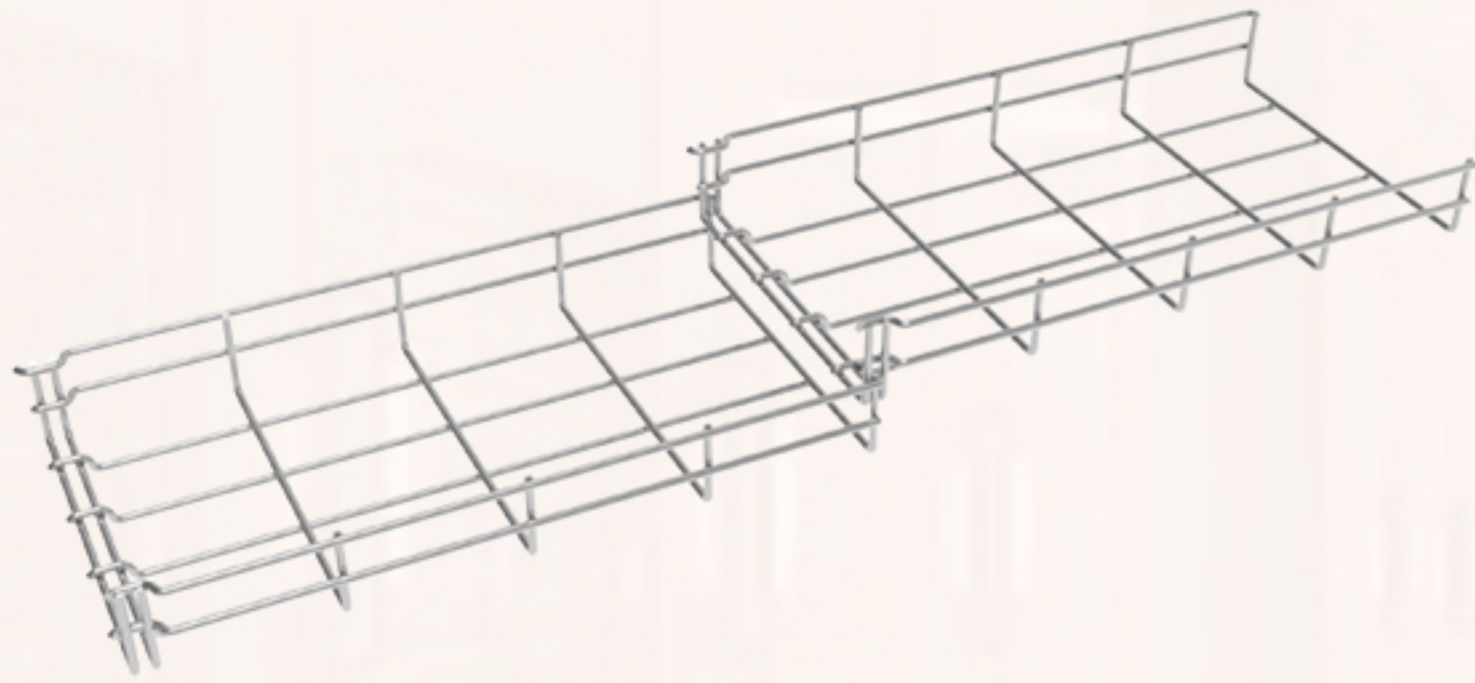
The straight sections of the Easy-Connect grid cable tray "Easy-Connect" with virtually invisible connection points, resulting in an aesthetic appearance.

## Product Parameters

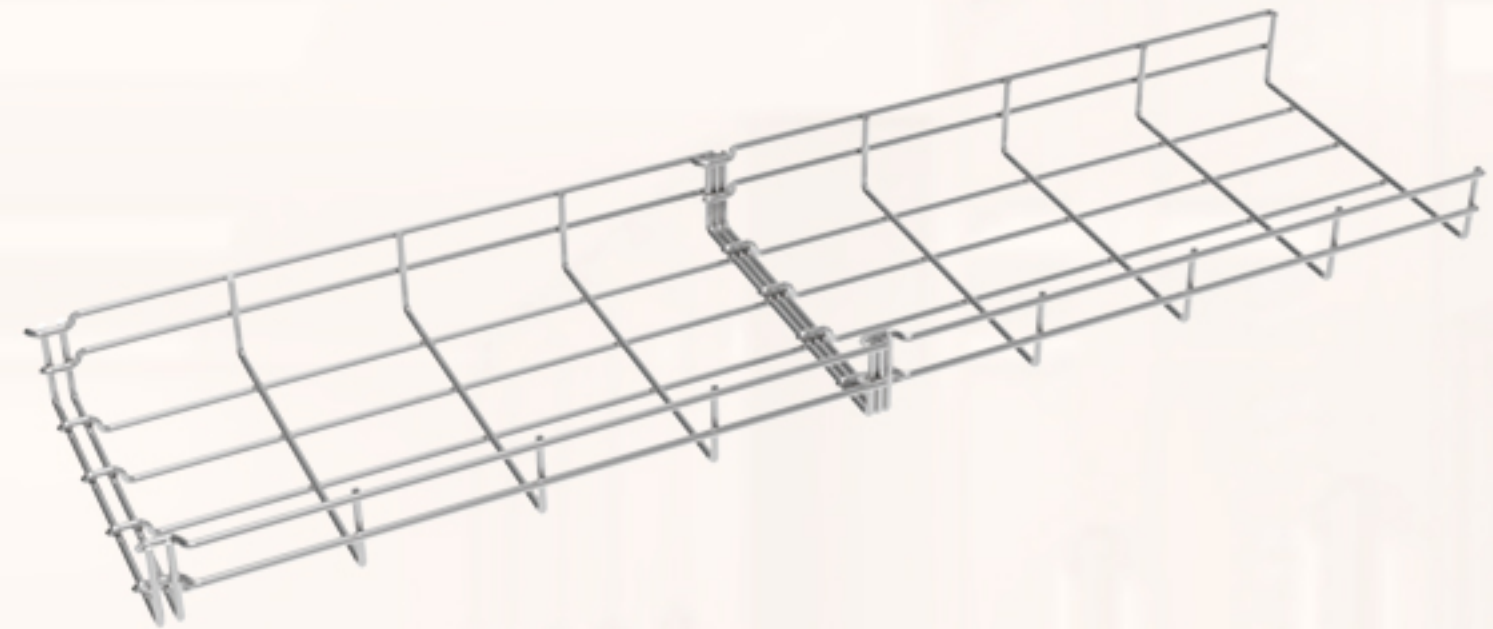
Model	Height(mm)	Width(mm)	Length(mm)	Wire Diameter(mm)	Material
CMQ	50/100	50-600	≤3000	4.0/5.0	EZ、HdG、PC、S304、S316、S316L

## — Installation Steps —

- 1 Insert the single-wire end of a Easy-Connect mesh cable tray into the double-wire end of another Easy-Connect Mesh cable tray.



- 2 Installation is complete.



## — Load Test —

\* Test Results: 1500mm width trays can carry 100kg loads with <5mm shape alteration

报告编号: VC-20221102

产品名称	自扣式网格桥架	检验类别	<input type="checkbox"/> 例行检验 <input checked="" type="checkbox"/> 委托检验
型号规格	CMSL50-500-2870-4.0-EZ	样品等级	合格品
委托人	/	样品数量	1
生产日期	2022-11-20	到样日期	2022-11-23
检验依据	<input checked="" type="checkbox"/> T/ZSB 2423-2021 《信息通信用网格式金属电缆桥架》		
检验项目	共检 1 项, 详见检验结果		
检验结论	该样品按 T/ZSB 2423-2021 《信息通信用网格式金属电缆桥架》标准要求检验, 所检项目的检验结果符合标准要求 签发日期: 2022-11-23		

四、检验说明

样品外形如下图所示:

跨距 1500mm	试验前高度 399mm				
安全载荷 100Kg(980N)	试验后高度 395 (mm)				
序号	检验项目	标准 (技术) 要求	样品编号	检验结果	单项结论

Office Add: 10F, Building 7, Smart Park, Hi-tech Zone, Ningbo, China.

Factory Add: No.329 Jiangbin Road, Beilun District,

Website: www.vichnet.com

Tel: +86-13094835367

